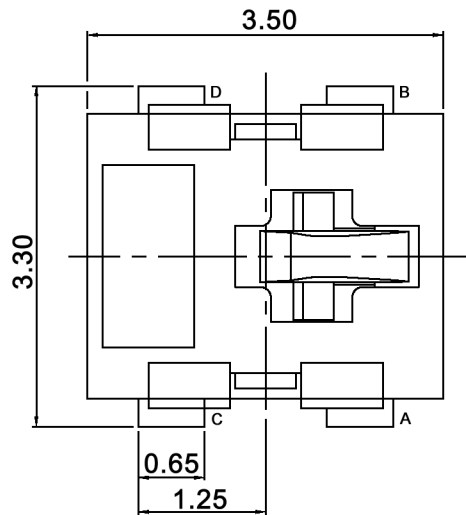
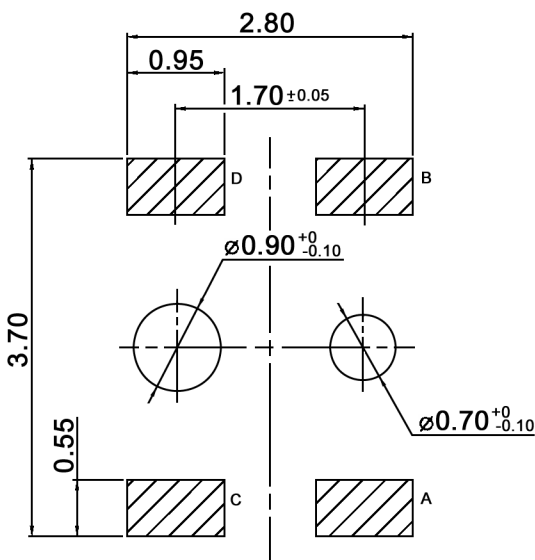
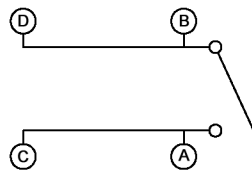


P.C.B. LAYOUT
(VIEW FROM THE DIRECTION A)



CIRCUIT DIAGRAM



Tolerances: ±0.30mm	Date	Name
	02/14	dr
Modifications	Date	Name

DTS 204 CP T

knitter-switch

30 30 24

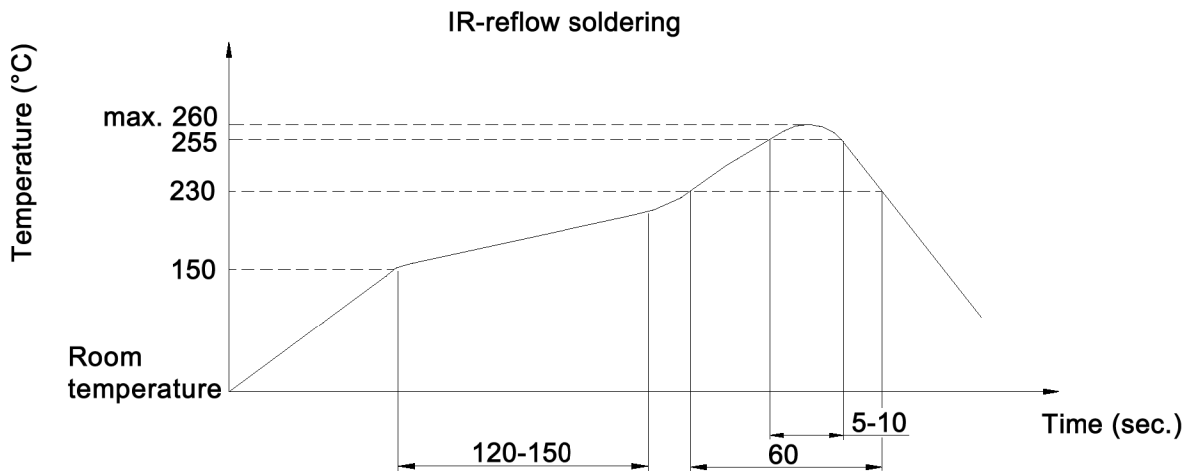
Page

1/2

Specifications:

Contact rating: 0.1mA-100mA, 20mV-5V DC
 Contact resistance: 500mOhm max.
 Insulation resistance: 100MOhm min. at 250V DC for 1 minute +/-5sec.
 Dielectric strength: 250V AC (50/60Hz) for 1 minute
 Operating temperature: -15°C to +70°C
 Storage temperature: -40°C to +85°C
 Electrical life: 80 000 cycles min.
 Operating force: 35gf max.
 Material: Stem / cover / base: high-temp. thermoplastic nylon, molded black,
 UL-No.: E41938
 Contact: stainless steel, silver plated
 Terminal: phosphor bronze, 1.0µm silver plated

Soldering conditions:



Tolerances: ±0.30mm	Date	Name
	02/14	dr
Modifications	Date	Name

DTS 204 CP T

knitter-switch

30 30 24

Page

2/2